



## Compact Brewhouse BH3

- combi tanks and multifunctional tanks in different combinations;
- completely wired and piped, including manifold with butterfly process valves;
- integrated pump (in the standard configuration the brewhouse is equipped with one pump; optionally the system can be upgraded with a second pump to improve the brewing capacity of the brew-house);
- lauter tun with heated bottom and tank wall;
- space saving design: support frame and perforated walk-on platform combine the vessels and other components in a compact block;
- master brew interface control system: temperature control, flow regulation, pump on/off, mixer rotation speed, setting of timers and step mashing parameters;
- the system allows performing of the multi-step infusion mashing;
- available also in a configuration for high gravity brewing.

## Compact Brewhouse BH3

- 1** Mash mixer (MM) / Lauter tun (LT) - upper comp. of combi tank
- 2** Whirlpool (W) - lower compartment of combi tank
- 3** Kettle (K)
- 4** Hot water tank (HWT)
- A** Heat exchanger
- B** Pump (2x)
- C** Control cabinet with touch screen operating panel
- D** Integrated process piping
- E** Grist case (option)
- F** Platform with stairs and guardrails
- G** Rake plow with drive unit

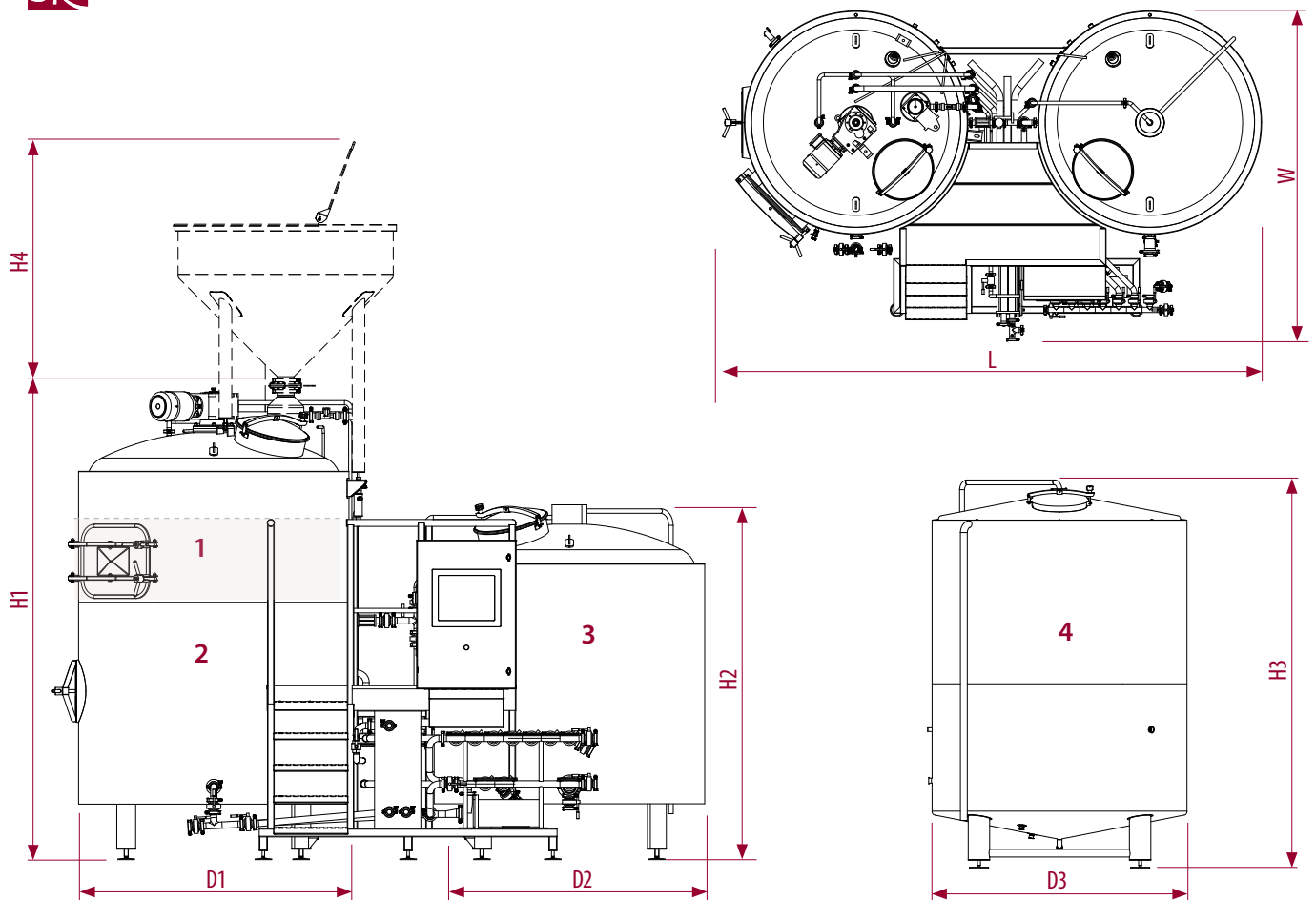




Compact Brewhouse BH3



Multi-step infusion mashing



Brewhouse BH3		BH 10 hl	BH 20 hl	BH 25 hl
Max. mash volume in tank (1)	L	655	1580	1790
Tank volume (2)	L	1140	2800	2915
Tank volume (3)	L	1400	2670	3200
Tank volume (4)	L	2000	4100	5100
Tank diameter (D1)	mm	1335	1890	1990
Tank diameter (D2)	mm	1335	1760	1925
Tank diameter (D3)	mm	1370	1680	1680
Tank height (H1)	mm	2730	2790	2850
Tank height (H2)	mm	2050	2150	2210
Tank height (H3)	mm	2000	2500	3000
Grist case height (H4)	mm	1150	1610	1880
Total length approx. (L)	mm	3400	4250	4600
Total width approx. (W)	mm	1950	2510	2640



\* Dimensions listed in the table are approximate and may vary slightly.